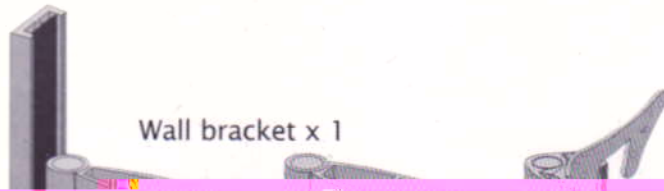




# Contents of the box



Wall bracket x 1

Fixing Plate x 1

## Tools & Hardware (For Installation Purposes Only)



M4 Washer x 4



M4x10mm Screw x 4



8mm Concrete Anchor x 3



45mm Lag Bolt x 3

## Warning

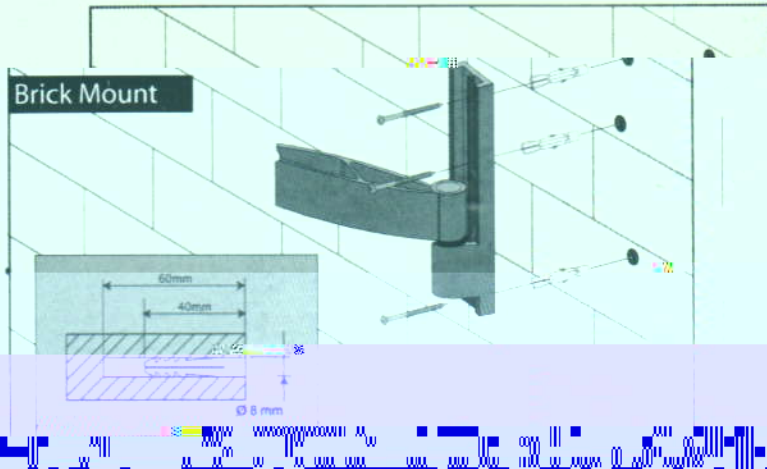
Ensure this guide is read before installation.

Connect the unit to the power supply using the correct cable and plug.

Can't find the correct cable? Visit [www.phoneline.co.uk](http://www.phoneline.co.uk) for more information.

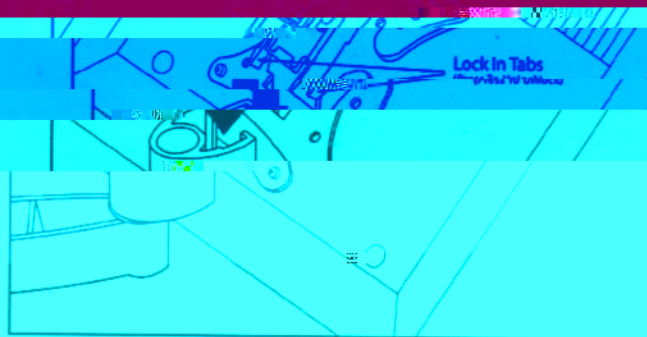
Phoneline is not responsible for any damage or injury that may occur as a result of incorrect installation. Installation should be carried out in accordance with the instructions provided in this guide. Phoneline's liability is limited to the responsibility of the manufacturer.

# Installation



# Installation

---



Slide fixing plate with LCD screen attached into bracket. Only do this once the bracket fixed to the wall.